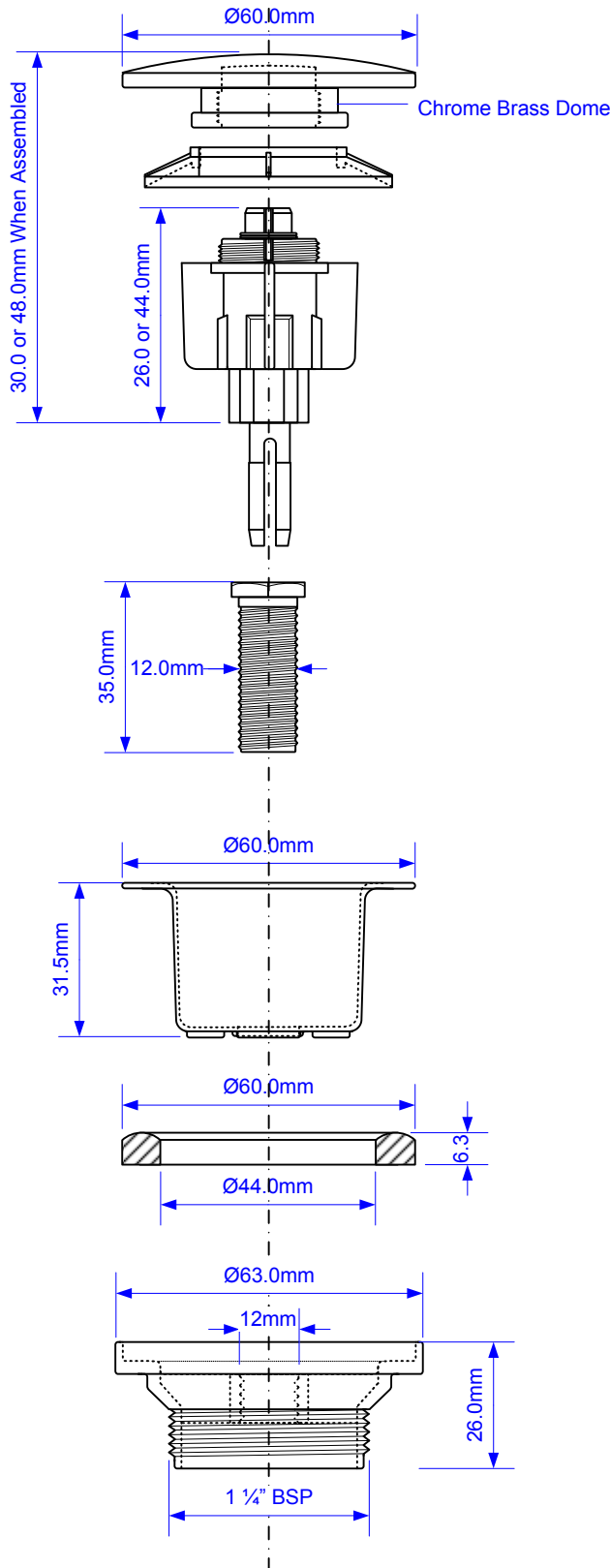


Code:

# CWP60-CB

Chrome Brass Dome



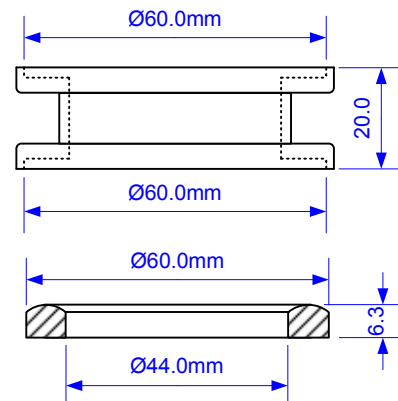
## Without Using Spacer

Minimum Basin Thickness = 23mm  
Maximum Basin Thickness = 45mm

## When Using Spacer

Minimum Basin Thickness = 0mm  
Maximum Basin Thickness = 23mm

## Spacer and Seal for use with thinner basins



Drawing verified  
correct as of:

08/08/2013  
RM

DRAWN BY

RM

SCALE

1: 1.5

REVISED

04/03/2013, 17/04/2013  
08/08/2013

FILENAME

CWP60-CB.VSD

DATE

08/08/2013